

DOC. TITLE	RTU560-SAT RECORD (DN)	FORM REVISION	00
FORM DESCRIPTION	COVER PAGE	PRODUCT DETAIL	RTU560
PROJECT DETAILS	SITE: PE TESTER	TEST RECORD SHEET	1 OF 1
FORM REF	RTU560-SAT-TREC-CP	REPORT SHEET NO	OF

# SITE ACCEPTANCE TEST RECORD

## RTU560

STATION:	PE TESTER
PROJECT NAME:	PEMBEKALAN, PEMASANGAN DAN PENGUJIAN FASILITI DISTRIBUTION AUTOMATION SECARA BERSEPADU (INTEGRATED INTER-CHANGEABLE DA), DISTRIBUTION NETWORK DIVISION, TNB – MAINHEAD D: SELATAN (N. SEMBILAN, MELAKA & JOHOR)
CONTRACT NUMBER:	TNB771/2024
RTU PANEL S/N:	
SAT DATE:	

APPROVAL				
	NAME	COMPANY	DATE	SIGNATURE
PREPARED BY:	SOFFI SYAHMAN	HITACHI ENERGY MALAYSIA	18/08/2025	
REVIEWED BY:	LIAN MING KIM	HITACHI ENERGY MALAYSIA	18/08/2025	
APPROVED BY:	Ir. Ts. RAMLAH BINTI AWANG	TENAGA NASIONAL BERHAD	10/11/2025	

DOC. TITLE	RTU560-SAT RECORD (DN)	FORM REVISION	00
FORM DESCRIPTION	CHANGE LOG	PRODUCT DETAIL	RTU560
PROJECT DETAILS	SITE: PE TESTER	TEST RECORD SHEET	1 OF 1
FORM REF	RTU560-SAT-TREC-CL	REPORT SHEET NO	OF

## 1.0 Change Log

Item	Date	Revision No.	Remarks
1	18/08/2025	00	• Initial Release

DOC. TITLE	RTU560-SAT RECORD (DN)	FORM REVISION	00
FORM DESCRIPTION	OVERALL TEST RESULT	PRODUCT DETAIL	RTU560
PROJECT DETAILS	SITE: PE TESTER	TEST RECORD SHEET	1 OF 2
FORM REF	RTU560-SAT-TREC-OTS	REPORT SHEET NO	OF

**1.0 SAT TEST RESULT**

RTU SERIAL NUMBER	
CONTRACT NUMBER	TNB771/2024
LINK ADDRESS	IEC101: , IEC104:
ASDU ADDRESS	IEC101: , IEC104:
PROTOCOL TESTED	<input checked="" type="checkbox"/> IEC 101, <input checked="" type="checkbox"/> IEC 104, <input type="checkbox"/> DNP3
SAT DURATION (DATE)	

**PASS** 
**FAIL** 
**REMARKS:**

.....

.....

.....

.....

.....

.....

.....

.....

 Tested by: (Tester)  
 Signature/Official Stamp:

 Witnessed by:  
 Signature/Official Stamp:

 Name: AMIRUL AIMAN  
 Date:

 Name:  
 Date:

DOC. TITLE	RTU560-SAT RECORD (DN)	FORM REVISION	00
FORM DESCRIPTION	OVERALL TEST RESULT	PRODUCT DETAIL	RTU560
PROJECT DETAILS	SITE: PE TESTER	TEST RECORD SHEET	2 OF 2
FORM REF	RTU560-SAT-TREC-OTS	REPORT SHEET NO	OF

## 2.0 LOGS

DAY NO	TIME		TEST ACTIVITY
	Start	End	

## 3.0 ATTENDANCE

DATE	NAME	COMPANY	DESIGNATION	SIGNATURE

DOC. TITLE	RTU560-SAT RECORD (DN)	FORM REVISION	00
FORM DESCRIPTION	PRE-REQUISITES	PRODUCT DETAIL	RTU560
PROJECT DETAILS	SITE: PE TESTER	TEST RECORD SHEET	1 OF 2
FORM REF	RTU560-SAT-TREC-PR	REPORT SHEET NO	OF

### 1.0 APPROVED DRAWING

TAB NO.	Drawing Title	Drawing No.	Rev No.	Approved Date	Result (✓/X)
2	RTU Configuration Drawing	MYHE_____B 02			pass <input checked="" type="checkbox"/> fail <input type="checkbox"/>
3	RTU Cubicle Internal Wiring	MYHE_____V 02			pass <input checked="" type="checkbox"/> fail <input type="checkbox"/>
4	RTU Parameter List	MYHE_____T 04			pass <input checked="" type="checkbox"/> fail <input type="checkbox"/>

### 2.0 PRE-FAT/FAT RECORD

Pre-FAT DATE	
Pre-FAT RESULT	<input checked="" type="checkbox"/> PASS <input type="checkbox"/> FAIL
NOTES/REMARKS	

### 3.0 TEST EQUIPMENT LIST

Item	Description	Brand	Model	Serial Number	Calibration Due Date	Result (✓/X)
1	Process Meter	FLUKE				<input checked="" type="checkbox"/>
2	Laptop				N/A	<input checked="" type="checkbox"/>

### 4.0 SOFTWARE LIST

Item	Description	Product Name	Version	Result (✓/X)
1	RTU Configurator	RTUutil500	12.6.3	<input checked="" type="checkbox"/>
2	Diagnostic Tools (Web Browser)	<input checked="" type="checkbox"/> Internet Explorer <input checked="" type="checkbox"/> Microsoft Edge <input checked="" type="checkbox"/> Mozilla Firefox	N/A	<input checked="" type="checkbox"/>
3	IEC 60870-5-104 Master Simulator	<input checked="" type="checkbox"/> ASE2000 <input type="checkbox"/> THE VINCI	<input checked="" type="checkbox"/> 1.56 <input type="checkbox"/> 2.0.0.3	<input checked="" type="checkbox"/>
4	IEC 60870-5-101 Master Simulator	<input checked="" type="checkbox"/> ASE2000 <input type="checkbox"/> THE VINCI	<input checked="" type="checkbox"/> 1.56 <input type="checkbox"/> 2.0.0.3	<input checked="" type="checkbox"/>
5	DNP3 Master Simulator	ASE2000	1.56	<input checked="" type="checkbox"/>



DOC. TITLE	RTU560-SAT RECORD (DN)	FORM REVISION	00
FORM DESCRIPTION	PRE-REQUISITES	PRODUCT DETAIL	RTU560
PROJECT DETAILS	SITE: PE TESTER	TEST RECORD SHEET	2 OF 2
FORM REF	RTU560-SAT-TREC-PR	REPORT SHEET NO	OF

**5.0 TESTER DETAILS**

NO.	Name	Years of Experience	NTSP No./Expiry Date	CIDB No

Tested by: (Tester)  
Signature/Official Stamp:

Witnessed by:  
Signature/Official Stamp:



Name: AMIRUL AIMAN  
Date:

Name:  
Date:

DOC. TITLE	RTU560-SAT RECORD (DN)	FORM REVISION	00
FORM DESCRIPTION	CONFIGURATION AND PARAMETERS	PRODUCT DETAIL	RTU560
PROJECT DETAILS	SITE: PE TESTER	TEST RECORD SHEET	1 OF 3
FORM REF	RTU560-SAT-TREC-CP	REPORT SHEET NO	OF

**1.0 PRODUCT DECLARATION RECORD**

Item	Description	Product Name	Setting
1	RTU Model	<input checked="" type="checkbox"/> RTU560	Firmware: 12.6.4
2	Protocol	<input checked="" type="checkbox"/> IEC 101 <input checked="" type="checkbox"/> IEC 104 <input type="checkbox"/> DNP3	<input type="checkbox"/> Single/ <input type="checkbox"/> Redundancy <input type="checkbox"/> Single/ <input type="checkbox"/> Redundancy <input type="checkbox"/> Single/ <input type="checkbox"/> Redundancy
3	RTU Setup	<input checked="" type="checkbox"/> Centralized <input checked="" type="checkbox"/> Distributed <input type="checkbox"/> Sub-Master	<input type="checkbox"/> Single Panel <input type="checkbox"/> Double Panel <input type="checkbox"/> Others
4	Power Supply Input	<input type="checkbox"/> 110Vdc <input type="checkbox"/> 48Vdc <input type="checkbox"/> 30Vdc <input type="checkbox"/> 24Vdc <input type="checkbox"/> Other:	

**2.0 PARAMETER/CONFIGURATION SETTING FOR IEC101/IEC104/DNP3**

Parameter	TNBD Setting	This RTU	Result	Remarks
<b>General</b>				
Time Administration	Host1	Host1	<input checked="" type="checkbox"/>	
Time Sync Lost	60 min	60 min	<input checked="" type="checkbox"/>	
Summertime	Disable	Disable	<input checked="" type="checkbox"/>	
GPS Time	Disable	Disable	<input checked="" type="checkbox"/>	
Select before Operate	20 sec	20 sec	<input checked="" type="checkbox"/>	
<b>IEC 60870-5-101</b>				
Baud Rate	9600	9600	<input checked="" type="checkbox"/>	
Stop Bit	1	1	<input checked="" type="checkbox"/>	
Data Length	8	8	<input checked="" type="checkbox"/>	
Parity	Even	Even	<input checked="" type="checkbox"/>	
Link	16bit	16bit	<input checked="" type="checkbox"/>	
ASDU	16bit	16bit	<input checked="" type="checkbox"/>	
Information object address	16bit	16bit	<input checked="" type="checkbox"/>	
Buffer Size	1000 (Delete newest)	1000 (Delete newest)	<input checked="" type="checkbox"/>	
Timeout Acknowledgment	20 sec	20 sec	<input checked="" type="checkbox"/>	
Cycle Time Supervision Timeout	30 sec	30 sec	<input checked="" type="checkbox"/>	
Channel Redundancy	Main-Standby	Main-Standby	<input checked="" type="checkbox"/>	
Module Level	Priority 2 (DI)	Priority 2 (DI)	<input checked="" type="checkbox"/>	
Transmit with Timestamp	Enable	Enable	<input checked="" type="checkbox"/>	

DOC. TITLE	RTU560-SAT RECORD (DN)	FORM REVISION	00
FORM DESCRIPTION	CONFIGURATION AND PARAMETERS	PRODUCT DETAIL	RTU560
PROJECT DETAILS	SITE: PE TESTER	TEST RECORD SHEET	2 OF 3
FORM REF	RTU560-SAT-TREC-CP	REPORT SHEET NO	OF

Parameter	TNBD Setting	This RTU	Result	Remarks
<b>IEC 60870-5-101</b>				
t1	15 sec	15 sec	<input checked="" type="checkbox"/>	
t2	10 sec	10 sec	<input checked="" type="checkbox"/>	
t3	20 sec	20 sec	<input checked="" type="checkbox"/>	
K	12	12	<input checked="" type="checkbox"/>	
W	8	8	<input checked="" type="checkbox"/>	
TCP Port No.	2404	2404	<input checked="" type="checkbox"/>	Default 2404
ASDU	16bit	16bit	<input checked="" type="checkbox"/>	
Information object address	24bit	24bit	<input checked="" type="checkbox"/>	
Buffer Size	1000 (Delete newest)	1000 (Delete newest)	<input checked="" type="checkbox"/>	
Cycle Time Supervision Timeout	30 sec	30 sec	<input checked="" type="checkbox"/>	
Transmission with Full Timestamps	Enable	Enable	<input checked="" type="checkbox"/>	
Cause of Transmission	8bit	8bit	<input checked="" type="checkbox"/>	
Channel Redundancy	Main-Standby	Main-Standby	<input checked="" type="checkbox"/>	
<b>DNP3</b>				
Baud Rate	9600	9600	<input checked="" type="checkbox"/>	
Channel Redundancy	Main-Standby	Main-Standby	<input checked="" type="checkbox"/>	
Offline Timeout	30 sec	30 sec	<input checked="" type="checkbox"/>	

### 3.0 PARAMETER/CONFIGURATION SETTING FOR DI/DO/AI

Parameter	TNBD Setting	This RTU	Result	Remarks
<b>DIGITAL INPUT</b>				
Digital filter	10msec	10msec	<input checked="" type="checkbox"/>	
Chatter, Hz	1 Hz	1 Hz	<input checked="" type="checkbox"/>	
Double Bit Processing for Intermediate	10 sec	10 sec	<input checked="" type="checkbox"/>	
Double Bit Processing for Indeterminate	10 sec	10 sec	<input checked="" type="checkbox"/>	
Recovery Time	1 min	1 min	<input checked="" type="checkbox"/>	Default 1min
<b>DIGITAL OUTPUT</b>				
DO Contact Closure	3 sec	3 sec	<input checked="" type="checkbox"/>	
Select before Operate Time Out	20 sec	20 sec	<input checked="" type="checkbox"/>	
Output Type	Only On	Only On	<input checked="" type="checkbox"/>	For SCO only

DOC. TITLE	RTU560-SAT RECORD (DN)	FORM REVISION	00
FORM DESCRIPTION	CONFIGURATION AND PARAMETERS	PRODUCT DETAIL	RTU560
PROJECT DETAILS	SITE: PE TESTER	TEST RECORD SHEET	2 OF 3
FORM REF	RTU560-SAT-TREC-CP	REPORT SHEET NO	OF

Parameter	TNBD Setting	This RTU	Result	Remarks
<b>ANALOG INPUT</b>				
Input Signal Range	20mA	20mA	<input checked="" type="checkbox"/>	
Input Signal Type for AI	Live Zero	Live Zero	<input checked="" type="checkbox"/>	All the spare signals will be configured as Unipolar (to maintain the RTU internal fault alarm circuit in OFF state)
Conversion Factor	100%	100%	<input checked="" type="checkbox"/>	
Line Frequency	50Hz	50Hz	<input checked="" type="checkbox"/>	
Zero Range	0.25%	0.25%	<input checked="" type="checkbox"/>	
Acquisition Mode	Integrated Threshold	Integrated Threshold	<input checked="" type="checkbox"/>	
Threshold	1%	1%	<input checked="" type="checkbox"/>	
Archive for AI	Disabled	Disabled	<input checked="" type="checkbox"/>	

Tested by: (Tester)  
Signature/Official Stamp:



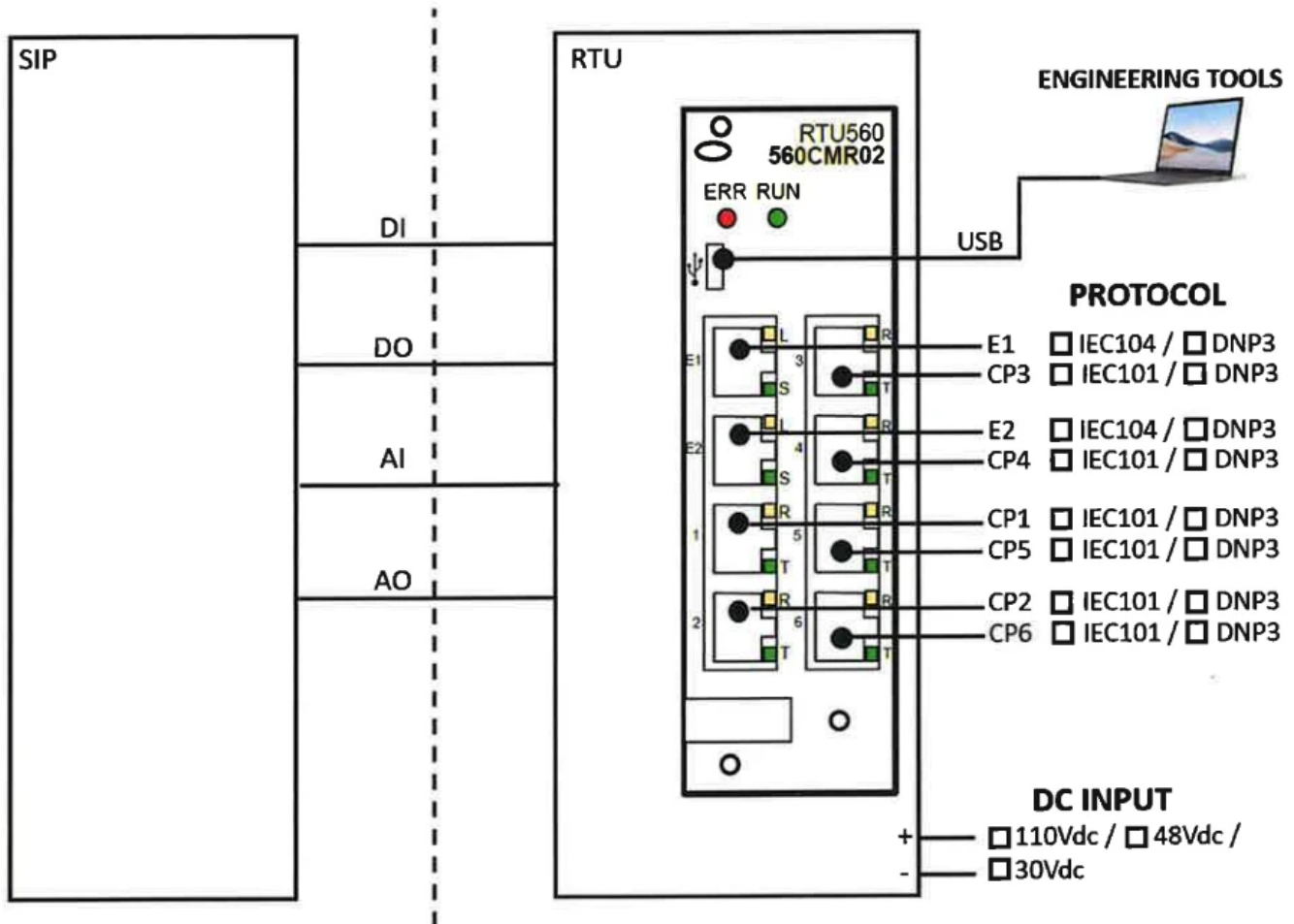
Name: AMIRUL AIMAN  
Date:

Witnessed by:  
Signature/Official Stamp:

Name:  
Date:

DOC. TITLE	RTU560-SAT RECORD (DN)	FORM REVISION	00
FORM DESCRIPTION	TEST SETUP	PRODUCT DETAIL	RTU560
PROJECT DETAILS	SITE: PE TESTER	TEST RECORD SHEET	1 OF 1
FORM REF	RTU560-SAT-TREC-SETUP	REPORT SHEET NO	OF

## 1.0 TEST SETUP



Tested by: (Tester)  
Signature/Official Stamp:



Official stamp: AMIRUL AIMAN (87873A-A) EMPIRE RHEA (M) SDN BHD

Name: AMIRUL AIMAN  
Date:

Witnessed by:  
Signature/Official Stamp:

Name:  
Date:

DOC. TITLE	RTU560-SAT RECORD (DN)	FORM REVISION	00
FORM DESCRIPTION	RTU ACCESSORIES	PRODUCT DETAIL	RTU560
PROJECT DETAILS	SITE: PE TESTER	TEST RECORD SHEET	1 OF 1
FORM REF	RTU560-SAT-TREC-ACCESSORIES	REPORT SHEET NO	OF

**1.0 RTU ACCESSORIES**

No	Inspection	Brand	Model	Quantity	Result
1.	MCB for 110VDC				<input checked="" type="checkbox"/>
2.	MCB for 48VDC				<input checked="" type="checkbox"/>
3.	MCB for 30VDC				<input checked="" type="checkbox"/>
4.	MCB for 24VDC				<input checked="" type="checkbox"/>
5.	MCB for 240VAC				<input checked="" type="checkbox"/>
6.	Auxiliary Contact MCB				<input checked="" type="checkbox"/>
7.	Control Enable Switch				<input checked="" type="checkbox"/>
8.	Surge Arrestor for DC				<input checked="" type="checkbox"/>
9.	Surge Arrestor for IEC101				<input checked="" type="checkbox"/>
10.	Surge Arrestor for IEC104				<input checked="" type="checkbox"/>
11.	Surge Arrestor for GPS				<input checked="" type="checkbox"/>
12.	Lease Line Modem				<input checked="" type="checkbox"/>
13.	Fiber Modem				<input checked="" type="checkbox"/>

Tested by: (Tester)  
Signature/Official Stamp:



Name: AMIRUL AIMAN  
Date:

Witnessed by:  
Signature/Official Stamp:

Name:  
Date:

DOC. TITLE	RTU560-SAT RECORD (DN)	FORM REVISION	00
FORM DESCRIPTION	BILL OF QUANTITIES	PRODUCT DETAIL	RTU560
PROJECT DETAILS	SITE: PE TESTER	TEST RECORD SHEET	1 OF 1
FORM REF	RTU560-SAT-TREC-BOM	REPORT SHEET NO	OF

**1.0 BILL OF MATERIAL CHECK**

Item No	Description	Qty	Results
1	560PSR00 Power Supply Unit		<input checked="" type="checkbox"/>
2	560PSU01 Power Supply Unit		<input checked="" type="checkbox"/>
3	560PSU40 Power Supply Unit		<input checked="" type="checkbox"/>
4	560PSU41 Power Supply Unit		<input checked="" type="checkbox"/>
5	560CMR02 CPU Module		<input checked="" type="checkbox"/>
6	560SFR02 Extension Sub Rack		<input checked="" type="checkbox"/>
7	560BCU05 Bus Connection Unit		<input checked="" type="checkbox"/>
8	560AIR01 Analogue Input Module		<input checked="" type="checkbox"/>
9	560BIR01 Digital Input Module		<input checked="" type="checkbox"/>
10	560BOR01 Digital Output Module		<input checked="" type="checkbox"/>
11	23BA40 Digital Output Module		<input checked="" type="checkbox"/>
12	23BA30 Digital Output Interposing Module		<input checked="" type="checkbox"/>
13	23AA21 Analog Output Module		<input checked="" type="checkbox"/>
14	23OK24 Fiber Optic Coupler		<input checked="" type="checkbox"/>
15	23BA22 Command Output Monitoring Module		<input checked="" type="checkbox"/>

Tested by: (Tester)  
Signature/Official Stamp:

Witnessed by:  
Signature/Official Stamp:



Name: AMIRUL AIMAN  
Date:

Name:  
Date:

DOC. TITLE	RTU560-SAT RECORD (DN)	FORM REVISION	00
FORM DESCRIPTION	PANEL INSPECTION	PRODUCT DETAIL	RTU560
PROJECT DETAILS	SITE: PE TESTER	TEST RECORD SHEET	1 OF 2
FORM REF	RTU560-SAT-TREC-PANEL	REPORT SHEET NO	OF

**1.0 PANEL INFORMATION**

No	Inspection	Record
1.	RTU Cubicle No	
2.	RTU Panel No	

**2.0 PHYSICAL INSPECTION**

No	Inspection	Remark	Result
1.	The panel is free from defect e.g. scratches, deformities, corrosion, broken.		<input checked="" type="checkbox"/>
2.	All components and labelling are correct		<input checked="" type="checkbox"/>
3.	All internal wirings are as per the approved drawing		<input checked="" type="checkbox"/>
4.	Dimension as per approved drawing		<input checked="" type="checkbox"/>
5.	Colour for external and internal as per approved drawing		<input checked="" type="checkbox"/>
6.	RTU accessories component as per approved drawing		<input checked="" type="checkbox"/>
7.	Wiring and termination are neat and tidy		<input checked="" type="checkbox"/>
8.	The terminal block arrangement is proper and tidy		<input checked="" type="checkbox"/>
9.	The table/Laptop stand is sturdy		<input checked="" type="checkbox"/>
10.	All unused common DI 24vdc are isolated		<input checked="" type="checkbox"/>
11.	Earth bar is grounded to the substation earth bar		<input checked="" type="checkbox"/>
12.	Multicore cables from SIP-RTU are terminated securely.		<input checked="" type="checkbox"/>
13.	All I/O cables have been properly laid in cable tray, strongly gland marked at both ends (RTU-SIP)		<input checked="" type="checkbox"/>
14.	All spare cores for I/O cable are grouped by cable number and labeled at both ends (RTU-SIP)		<input checked="" type="checkbox"/>
15.	All I/O termination cores are correctly labelled and marked with correct position at both ends (RTU-SIP)		<input checked="" type="checkbox"/>

DOC. TITLE	RTU560-SAT RECORD (DN)	FORM REVISION	00
FORM DESCRIPTION	PANEL INSPECTION	PRODUCT DETAIL	RTU560
PROJECT DETAILS	SITE: PE TESTER	TEST RECORD SHEET	1 OF 2
FORM REF	RTU560-SAT-TREC-PANEL	REPORT SHEET NO	OF

### 3.0 FUNCTIONAL

No	Inspection	Result
a.	DC On lamp is operable. - Panel DC Input Voltage = _____ Vdc	<input checked="" type="checkbox"/>
b.	AC circuits (door limit switch and AC outlets) are operable. - Panel AC Input Voltage = _____ Vac	<input checked="" type="checkbox"/>
c.	The fault alarm circuit/lamp is operable. - The Fault Alarm will be on if any warning/alarm in the RTU.	<input checked="" type="checkbox"/>
d.	The control enable switch is operable. - In the OFF position, all command controls are unable to operate.	<input checked="" type="checkbox"/>
e.	The buzzer alarm circuit is operable. - The buzzer will be operated if CES in the OFF position & RTU door panel is closed.	<input checked="" type="checkbox"/>
f.	The Dummy Breaker is operable. Dummy Close LED RED will be ON - Dummy Open LED Green will be ON	<input checked="" type="checkbox"/>

Tested by: (Tester)  
Signature/Official Stamp:



Name: AMIRUL AIMAN  
Date:

Witnessed by:  
Signature/Official Stamp:

Name:  
Date:

DOC. TITLE	RTU560-SAT RECORD (DN)	FORM REVISION	00
FORM DESCRIPTION	CPU MODULE - 560CMR02 (PART NO: 1KGT036300R0001/R0002)	PRODUCT DETAIL	RTU560
PROJECT DETAILS	SITE: PE TESTER	TEST RECORD SHEET	1 OF 2
FORM REF	RTU560-SAT-TREC-PANEL	REPORT SHEET NO	OF

### 1.0 MODULE INFORMATION

No	Inspection		Result
1.	Rack & RTU Slot Number		Rack:      Slot:
2.	Module Serial Number		
3.	Firmware Part No & Rev		12.6.4.0
4.	Protocol Implementation	ETHERNET PORT 1	<input type="checkbox"/> IEC104 / <input type="checkbox"/> DNP3 / <input type="checkbox"/> Spare
		ETHERNET PORT 2	<input type="checkbox"/> IEC104 / <input type="checkbox"/> DNP3 / <input type="checkbox"/> Spare
		COM 1	<input type="checkbox"/> IEC101 / <input type="checkbox"/> DNP3 / <input type="checkbox"/> Spare / <input type="checkbox"/> Other: _____
		COM 2	<input type="checkbox"/> IEC101 / <input type="checkbox"/> DNP3 / <input type="checkbox"/> Spare / <input type="checkbox"/> Other: _____
		COM 3	<input type="checkbox"/> IEC101 / <input type="checkbox"/> DNP3 / <input type="checkbox"/> Spare / <input type="checkbox"/> Other: _____
		COM 4	<input type="checkbox"/> IEC101 / <input type="checkbox"/> DNP3 / <input type="checkbox"/> Spare / <input type="checkbox"/> Other: _____
		COM 5	<input type="checkbox"/> IEC101 / <input type="checkbox"/> DNP3 / <input type="checkbox"/> Spare / <input type="checkbox"/> Other: _____
		COM 6	<input type="checkbox"/> IEC101 / <input type="checkbox"/> DNP3 / <input type="checkbox"/> Spare / <input type="checkbox"/> Other: _____

### 2.0 PHYSICAL INSPECTION

No	Inspection	Result
1.	Module is free from defect e.g scratches, deformities, corrosion, broken	<input checked="" type="checkbox"/>

### 3.0 FUNCTIONAL

No	Inspection	Result
1.	The status in diagnostic tool shows OK	<input checked="" type="checkbox"/>
2.	The firmware is correct from diagnostic tool	<input checked="" type="checkbox"/>
3.	The parameter/configuration file as per approved drawing and correct from diagnostic tool	<input checked="" type="checkbox"/>
4.	All I/O addresses are mapped correctly as per site requirement (NCC List)	<input checked="" type="checkbox"/>
5.	RTU is able to receive Time synchronization from IEC101/IEC104/DNP3 Master	<input checked="" type="checkbox"/>
6.	Main & Backup communication redundancy port is working for IEC101/IEC104/DNP3 which applicable	<input checked="" type="checkbox"/>
7.	ETHERNET PORT 1	<input checked="" type="checkbox"/>
	ETHERNET PORT 2	<input checked="" type="checkbox"/>
	COM 1	<input checked="" type="checkbox"/>
	COM 2	<input checked="" type="checkbox"/>
	COM 3	<input checked="" type="checkbox"/>
	COM 4	<input checked="" type="checkbox"/>
	COM 5	<input checked="" type="checkbox"/>
COM 6	<input checked="" type="checkbox"/>	

DOC. TITLE	RTU560-SAT RECORD (DN)	FORM REVISION	00
FORM DESCRIPTION	CPU MODULE - 560CMR02 (PART NO: 1KGT036300R0001/R0002)	PRODUCT DETAIL	RTU560
PROJECT DETAILS	SITE: PE TESTER	TEST RECORD SHEET	1 OF 2
FORM REF	RTU560-SAT-TREC-PANEL	REPORT SHEET NO	OF

#### 4.0 STARTUP PROCESS FOR IEC101

No	Inspection	Result
1.	Send Reset Link to RTU & RTU should reply Link Status to Master Simulator	<input checked="" type="checkbox"/>
2.	Send General Interrogation (GI) command to RTU & RTU should reply with all configured AI & DI to Master Simulator	<input checked="" type="checkbox"/>
3.	Send Delay Acquisition to RTU & RTU should reply to Master Simulator with delay time	<input checked="" type="checkbox"/>
4.	Send Clock Synchronization Command to RTU & RTU should change Time & Date according to the Master Simulator	<input checked="" type="checkbox"/>

#### 5.0 STARTUP PROCESS FOR IEC104

No	Inspection	Result
1.	Send STARTDT to RTU & RTU should reply STARTDT to Master Simulator	<input checked="" type="checkbox"/>
2.	Send General Interrogation (GI) command to RTU & RTU should reply all configured AI & DI to Master Simulator	<input checked="" type="checkbox"/>
3.	Send Clock Synchronization Command to RTU & RTU should change Time & Date according to the Master Simulator	<input checked="" type="checkbox"/>

#### 6.0 STARTUP PROCESS FOR DNP3

No	Inspection	Result
1.	Send Reset Link to RTU & RTU should reply Link Status to Master Simulator	<input type="checkbox"/>
2.	Send Class 0 Data Request to RTU & RTU should reply all configured Data Class 0 to Master Simulator	<input type="checkbox"/>
3.	Send Delay Measurement Request to RTU & RTU should reply all Time Delay to Master Simulator	<input type="checkbox"/>
4.	Send Write Date & Time to RTU & RTU should change Time & Date according to the Master Simulator	<input type="checkbox"/>
5.	Send Clear Restart to RTU & RTU should reply a Response to the Master Simulator	<input type="checkbox"/>
6.	Send Enable Unsolidated request to RTU & RTU should response all unsolidated signals to the Master Simulator	<input type="checkbox"/>

Tested by: (Tester)  
Signature/Official Stamp:

Witnessed by:  
Signature/Official Stamp:



Name: AMIRUL AIMAN  
Date:

Name:  
Date:

DOC. TITLE	RTU560-SAT RECORD (DN)	FORM REVISION	00
FORM DESCRIPTION	ANALOG INPUT MODULE - 560AIR01 (PART NO: 1KGT036500R0001)	PRODUCT DETAIL	RTU560
PROJECT DETAILS	SITE: PE TESTER	TEST RECORD SHEET	1 OF 1
FORM REF	RTU560-SAT-TREC-AIR01	REPORT SHEET NO	OF

**1.0 MODULE INFORMATION**

No	Inspection	Result
1.	AI Module No	
2.	Rack & RTU Slot Number	Rack:      Slot:
3.	Module Serial Number	

**2.0 PHYSICAL INSPECTION**

No	Inspection	Result
1.	Module is free from defect e.g scratches, deformities, corrosion, broken	<input checked="" type="checkbox"/>
2.	Jumper setting as per approved drawing	<input checked="" type="checkbox"/>

**3.0 FUNCTIONAL**

Point No	Protocol Address (IOA)	Test						OK		
		4.00mA	8.00mA	12.00mA	16.00mA	20.00mA	>20.00mA	IEC101	IEC104	DNP3
		0% 0	25% 8192	50% 16383	75% 24575	100% 32767	>100%			
		0.0% - 0.1% / 0	24.9%-25.1% / 8158-8225	49.9%-50.1% / 16350-16416	74.9%-75.1% / 24542-24608	99.9%-100% / 32734-32767	>100% OV			
1								<input checked="" type="checkbox"/>	<input checked="" type="checkbox"/>	<input type="checkbox"/>
2								<input checked="" type="checkbox"/>	<input checked="" type="checkbox"/>	<input type="checkbox"/>
3								<input checked="" type="checkbox"/>	<input checked="" type="checkbox"/>	<input type="checkbox"/>
4								<input checked="" type="checkbox"/>	<input checked="" type="checkbox"/>	<input type="checkbox"/>
5								<input checked="" type="checkbox"/>	<input checked="" type="checkbox"/>	<input type="checkbox"/>
6								<input checked="" type="checkbox"/>	<input checked="" type="checkbox"/>	<input type="checkbox"/>
7								<input checked="" type="checkbox"/>	<input checked="" type="checkbox"/>	<input type="checkbox"/>
8								<input checked="" type="checkbox"/>	<input checked="" type="checkbox"/>	<input type="checkbox"/>

 Tested by: (Tester)  
 Signature/Official Stamp:

 Witnessed by:  
 Signature/Official Stamp:

 Name: AMIRUL AIMAN  
 Date:

 Name:  
 Date:

DOC. TITLE	RTU560-SAT RECORD (DN)	FORM REVISION	00
FORM DESCRIPTION	DIGITAL INPUT MODULE - 560BIR01 (PART NO: 1KGT034000R0001/R0101)	PRODUCT DETAIL	RTU560
PROJECT DETAILS	SITE: PE TESTER	TEST RECORD SHEET	1 OF 1
FORM REF	RTU560-SAT-TREC-BIR01	REPORT SHEET NO	OF

### 1.0 MODULE INFORMATION

No	Inspection	Result
1.	DI Module No	
2.	Rack & RTU Slot Number	Rack:      Slot:
3.	Module Serial Number	

### 2.0 PHYSICAL INSPECTION

No	Inspection	Result
1.	Module is free from defect e.g scratches, deformities, corrosion, broken	<input checked="" type="checkbox"/>
2.	Module is operational (LED check)	<input checked="" type="checkbox"/>

### 3.0 FUNCTIONAL

Digital Input No.	Protocol Address	SPI		DPI		Protocol		
		0 (OFF)	1 (ON)	0 (OFF)	1 (ON)	IEC 101	IEC 104	DNP3
1.						<input checked="" type="checkbox"/>	<input checked="" type="checkbox"/>	<input type="checkbox"/>
2.						<input checked="" type="checkbox"/>	<input checked="" type="checkbox"/>	<input type="checkbox"/>
3.						<input checked="" type="checkbox"/>	<input checked="" type="checkbox"/>	<input type="checkbox"/>
4.						<input checked="" type="checkbox"/>	<input checked="" type="checkbox"/>	<input type="checkbox"/>
5.						<input checked="" type="checkbox"/>	<input checked="" type="checkbox"/>	<input type="checkbox"/>
6.						<input checked="" type="checkbox"/>	<input checked="" type="checkbox"/>	<input type="checkbox"/>
7.						<input checked="" type="checkbox"/>	<input checked="" type="checkbox"/>	<input type="checkbox"/>
8.						<input checked="" type="checkbox"/>	<input checked="" type="checkbox"/>	<input type="checkbox"/>
9.						<input checked="" type="checkbox"/>	<input checked="" type="checkbox"/>	<input type="checkbox"/>
10.						<input checked="" type="checkbox"/>	<input checked="" type="checkbox"/>	<input type="checkbox"/>
11.						<input checked="" type="checkbox"/>	<input checked="" type="checkbox"/>	<input type="checkbox"/>
12.						<input checked="" type="checkbox"/>	<input checked="" type="checkbox"/>	<input type="checkbox"/>
13.						<input checked="" type="checkbox"/>	<input checked="" type="checkbox"/>	<input type="checkbox"/>
14.						<input checked="" type="checkbox"/>	<input checked="" type="checkbox"/>	<input type="checkbox"/>
15.						<input checked="" type="checkbox"/>	<input checked="" type="checkbox"/>	<input type="checkbox"/>
16.						<input checked="" type="checkbox"/>	<input checked="" type="checkbox"/>	<input type="checkbox"/>

Tested by: (Tester)  
Signature/Official Stamp:

Witnessed by:  
Signature/Official Stamp:



Name: AMIRUL AIMAN  
Date:

Name:  
Date:



DOC. TITLE	RTU560-SAT RECORD (DN)	FORM REVISION	00
FORM DESCRIPTION	DIGITAL OUTPUT MODULE - 23BA40 (PART NO 1KGT011200R0011)	PRODUCT DETAIL	RTU560
PROJECT DETAILS	SITE: PE TESTER	TEST RECORD SHEET	1 OF 1
FORM REF	RTU560-SAT-TREC-BA40	REPORT SHEET NO	OF

### 1.0 MODULE INFORMATION

No	Inspection	Result
1.	DO Module No	
2.	RTU Din Rail No	
3.	Module Serial Number	

### 2.0 PHYSICAL INSPECTION

No	Inspection	Result
1.	Module is free from defect e.g scratches, deformities, corrosion, broken	<input checked="" type="checkbox"/>
2.	Module is operational (LED check)	<input checked="" type="checkbox"/>

### 3.0 FUNCTIONAL

Digital Output No.	Protocol Address	SCO		DCO		Protocol		
		0 (OFF)	1 (ON)	0 (OFF)	1 (ON)	IEC 101	IEC 104	DNP3
1.						<input checked="" type="checkbox"/>	<input checked="" type="checkbox"/>	<input type="checkbox"/>
2.						<input checked="" type="checkbox"/>	<input checked="" type="checkbox"/>	<input type="checkbox"/>
3.						<input checked="" type="checkbox"/>	<input checked="" type="checkbox"/>	<input type="checkbox"/>
4.						<input checked="" type="checkbox"/>	<input checked="" type="checkbox"/>	<input type="checkbox"/>
5.						<input checked="" type="checkbox"/>	<input checked="" type="checkbox"/>	<input type="checkbox"/>
6.						<input checked="" type="checkbox"/>	<input checked="" type="checkbox"/>	<input type="checkbox"/>
7.						<input checked="" type="checkbox"/>	<input checked="" type="checkbox"/>	<input type="checkbox"/>
8.						<input checked="" type="checkbox"/>	<input checked="" type="checkbox"/>	<input type="checkbox"/>
9.						<input checked="" type="checkbox"/>	<input checked="" type="checkbox"/>	<input type="checkbox"/>
10.						<input checked="" type="checkbox"/>	<input checked="" type="checkbox"/>	<input type="checkbox"/>
11.						<input checked="" type="checkbox"/>	<input checked="" type="checkbox"/>	<input type="checkbox"/>
12.						<input checked="" type="checkbox"/>	<input checked="" type="checkbox"/>	<input type="checkbox"/>
13.						<input checked="" type="checkbox"/>	<input checked="" type="checkbox"/>	<input type="checkbox"/>
14.						<input checked="" type="checkbox"/>	<input checked="" type="checkbox"/>	<input type="checkbox"/>
15.						<input checked="" type="checkbox"/>	<input checked="" type="checkbox"/>	<input type="checkbox"/>
16.						<input checked="" type="checkbox"/>	<input checked="" type="checkbox"/>	<input type="checkbox"/>

Tested by: (Tester)  
Signature/Official Stamp:

Witnessed by:  
Signature/Official Stamp:



Name: AMIRUL AIMAN  
Date:

Name:  
Date:



DOC. TITLE	RTU560-SAT RECORD (DN)	FORM REVISION	00
FORM DESCRIPTION	DIGITAL OUTPUT MODULE - 560BOR01 (PART NO: 1KGT036800R0002/R0102)	PRODUCT DETAIL	RTU560
PROJECT DETAILS	SITE: PE TESTER	TEST RECORD SHEET	1 OF 1
FORM REF	RTU560-SAT-TREC-BOR01	REPORT SHEET NO	OF

### 1.0 MODULE INFORMATION

No	Inspection	Result
1.	DO Module No	
2.	Rack & RTU Slot Number	Rack:      Slot:
3.	Module Serial Number	

### 2.0 PHYSICAL INSPECTION

No	Inspection	Result
1.	Module is free from defect e.g scratches, deformities, corrosion, broken	<input checked="" type="checkbox"/>
2.	Module is operational (LED check)	<input checked="" type="checkbox"/>

### 3.0 FUNCTIONAL

Digital Output No.	Protocol Address	SCO		DCO		Protocol		
		0 (OFF)	1 (ON)	0 (OFF)	1 (ON)	IEC 101	IEC 104	DNP3
1.						<input checked="" type="checkbox"/>	<input checked="" type="checkbox"/>	<input type="checkbox"/>
2.						<input checked="" type="checkbox"/>	<input checked="" type="checkbox"/>	<input type="checkbox"/>
3.						<input checked="" type="checkbox"/>	<input checked="" type="checkbox"/>	<input type="checkbox"/>
4.						<input checked="" type="checkbox"/>	<input checked="" type="checkbox"/>	<input type="checkbox"/>
5.						<input checked="" type="checkbox"/>	<input checked="" type="checkbox"/>	<input type="checkbox"/>
6.						<input checked="" type="checkbox"/>	<input checked="" type="checkbox"/>	<input type="checkbox"/>
7.						<input checked="" type="checkbox"/>	<input checked="" type="checkbox"/>	<input type="checkbox"/>
8.						<input checked="" type="checkbox"/>	<input checked="" type="checkbox"/>	<input type="checkbox"/>
9.						<input checked="" type="checkbox"/>	<input checked="" type="checkbox"/>	<input type="checkbox"/>
10.						<input checked="" type="checkbox"/>	<input checked="" type="checkbox"/>	<input type="checkbox"/>
11.						<input checked="" type="checkbox"/>	<input checked="" type="checkbox"/>	<input type="checkbox"/>
12.						<input checked="" type="checkbox"/>	<input checked="" type="checkbox"/>	<input type="checkbox"/>
13.						<input checked="" type="checkbox"/>	<input checked="" type="checkbox"/>	<input type="checkbox"/>
14.						<input checked="" type="checkbox"/>	<input checked="" type="checkbox"/>	<input type="checkbox"/>
15.						<input checked="" type="checkbox"/>	<input checked="" type="checkbox"/>	<input type="checkbox"/>
16.						<input checked="" type="checkbox"/>	<input checked="" type="checkbox"/>	<input type="checkbox"/>

Tested by: (Tester)  
Signature/Official Stamp:

Witnessed by:  
Signature/Official Stamp:



Name: AMIRUL AIMAN  
Date:

Name:  
Date:



DOC. TITLE	RTU560-SAT RECORD (DN)	FORM REVISION	00
FORM DESCRIPTION	CONTROL MONITORING MODULE - 23BA22 (PART NO: 1KGT004800R5002)	PRODUCT DETAIL	RTU560
PROJECT DETAILS	SITE: PE TESTER	TEST RECORD SHEET	1 OF 1
FORM REF	RTU560-SAT-TREC-BA22	REPORT SHEET NO	OF

### 1.0 MODULE INFORMATION

No	Inspection	Result
1.	Rack & RTU Slot Number	Rack:      Slot:
2.	Module Serial Number	

### 2.0 PHYSICAL INSPECTION

No	Inspection	Result
1.	Module is free from defect e.g scratches, deformities, corrosion, broken	<input checked="" type="checkbox"/>
2.	Module is operational (LED check)	<input checked="" type="checkbox"/>

### 3.0 FUNCTIONAL

No	Inspection	Result
1.	LOC Button is operational a) LOC ON - Master unable to send a command to 560BOR01 b) LOC OFF - Master able to send command to 560BOR01	<input checked="" type="checkbox"/>
2.	Module is operational (LED check)	<input checked="" type="checkbox"/>

Tested by: (Tester)  
Signature/Official Stamp:



Name: AMIRUL AIMAN  
Date:

Witnessed by:  
Signature/Official Stamp:

Name:  
Date:

DOC. TITLE	RTU560-SAT RECORD (DN)	FORM REVISION	00
FORM DESCRIPTION	ANALOG INPUT MODULE - 23AA21 (PART NO: 1KGT020700R0001)	PRODUCT DETAIL	RTU560
PROJECT DETAILS	SITE: PE TESTER	TEST RECORD SHEET	1 OF 1
FORM REF	RTU560-SAT-TREC-AA21	REPORT SHEET NO	OF

### 1.0 MODULE INFORMATION

No	Inspection	Result
1.	Rack & RTU Slot Number	Rack:      Slot:
2.	Module Serial Number	

### 2.0 PHYSICAL INSPECTION

No	Inspection	Result
1.	Module is free from defect e.g scratches, deformities, corrosion, broken	<input checked="" type="checkbox"/>
2.	Jumper setting as per approved drawing	<input checked="" type="checkbox"/>

### 3.0 FUNCTIONAL

Point No	Protocol Address	Test					OK		
		0	8192	16383	24575	32767			
		4.00mA	8.00mA	12.00mA	16.00mA	20.00mA	IEC101	IEC104	DNP3
		3.976 - 4.024mA	7.976 - 8.024mA	11.976 - 12.024mA	15.976 - 16.024mA	19.976 - 20.024mA	<input type="checkbox"/>	<input type="checkbox"/>	<input type="checkbox"/>
1							<input checked="" type="checkbox"/>	<input checked="" type="checkbox"/>	<input type="checkbox"/>
2							<input checked="" type="checkbox"/>	<input checked="" type="checkbox"/>	<input type="checkbox"/>

Tested by: (Tester)  
Signature/Official Stamp:

Witnessed by:  
Signature/Official Stamp:



Name: AMIRUL AIMAN  
Date:

Name:  
Date:

DOC. TITLE	RTU560-SAT RECORD (DN)	FORM REVISION	00
FORM DESCRIPTION	RACK - SFR02 (PART NO: 1KGT022200R0001)	PRODUCT DETAIL	RTU560
PROJECT DETAILS	SITE: PE TESTER	TEST RECORD SHEET	1 OF 1
FORM REF	RTU560-SAT-TREC-SFR02	REPORT SHEET NO	OF

**1.0 MODULE INFORMATION**

No	Inspection	Result
1.	RTU Rack Number	
2.	Module Serial Number	

**2.0 PHYSICAL INSPECTION**

No	Inspection	Result
1.	Module is free from defect e.g scratches, deformities, corrosion, broken	<input checked="" type="checkbox"/>
2.	Module is operational (LED check)	<input checked="" type="checkbox"/>

**3.0 FUNCTIONAL**

No	Test Parameter	Acceptable Range	Actual Reading	OK
1	+5Vdc Output Voltage	+4.5 to +5.5Vdc		<input checked="" type="checkbox"/>
2	+24Vdc Output Voltage	+21.6 to +26.4Vdc		<input checked="" type="checkbox"/>

Tested by: (Tester)  
Signature/Official Stamp:



Name: AMIRUL AIMAN  
Date:

Witnessed by:  
Signature/Official Stamp:

Name:  
Date:

DOC. TITLE	RTU560-SAT RECORD (DN)	FORM REVISION	00
FORM DESCRIPTION	POWER SUPPLY - 560PSR00 (PART NO: 1KGT026500R0001)	PRODUCT DETAIL	RTU560
PROJECT DETAILS	SITE: PE TESTER	TEST RECORD SHEET	1 OF 1
FORM REF	RTU560-SAT-TREC-560PSR00	REPORT SHEET NO	OF

**1.0 MODULE INFORMATION**

No	Inspection	Result
1.	RTU Rack No	
2.	Module Serial Number	

**2.0 PHYSICAL INSPECTION**

No	Inspection	Result
1.	Module is free from defect e.g scratches, deformities, corrosion, broken	<input checked="" type="checkbox"/>
2.	Module is operational (LED check)	<input checked="" type="checkbox"/>

**3.0 FUNCTIONAL**

No	Test Parameter	Acceptable Range	Actual Reading	OK
1	+5Vdc Output Voltage	+4.5 to +5.5Vdc		<input checked="" type="checkbox"/>
2	+24Vdc Output Voltage	+21.6 to +26.4Vdc		<input checked="" type="checkbox"/>

Tested by: (Tester)  
Signature/Official Stamp:



Name: AMIRUL AIMAN  
Date:

Witnessed by:  
Signature/Official Stamp:

Name:  
Date:

DOC. TITLE	RTU560-SAT RECORD (DN)	FORM REVISION	00
FORM DESCRIPTION	POWER SUPPLY - 560PSU01 (PART NO: 1KGT006600R0001/R0002)	PRODUCT DETAIL	RTU560
PROJECT DETAILS	SITE: PE TESTER	TEST RECORD SHEET	1 OF 1
FORM REF	RTU560-SAT-TREC-560PSU01	REPORT SHEET NO	OF

**1.0 MODULE INFORMATION**

No	Inspection	Result
1.	RTU Rack No	
2.	Module Serial Number	

**2.0 PHYSICAL INSPECTION**

No	Inspection	Result
1.	Module is free from defect e.g scratches, deformities, corrosion, broken	<input checked="" type="checkbox"/>
2.	Module is operational (LED check)	<input checked="" type="checkbox"/>

**3.0 FUNCTIONAL**

No	Test Parameter	Acceptable Range	Actual Reading	OK
1	+5Vdc Output Voltage	+4.5 to +5.5Vdc		<input checked="" type="checkbox"/>
2	+24Vdc Output Voltage	+21.6 to +26.4Vdc		<input checked="" type="checkbox"/>

Tested by: (Tester)  
Signature/Official Stamp:



Name: AMIRUL AIMAN  
Date:

Witnessed by:  
Signature/Official Stamp:

Name:  
Date:

DOC. TITLE	RTU560-SAT RECORD (DN)	FORM REVISION	00
FORM DESCRIPTION	POWER SUPPLY - 560PSU40 (PART NO: 1KGT011600R0001)	PRODUCT DETAIL	RTU560
PROJECT DETAILS	SITE: PE TESTER	TEST RECORD SHEET	1 OF 1
FORM REF	RTU560-SAT-TREC-560PSU40	REPORT SHEET NO	OF

**1.0 MODULE INFORMATION**

No	Inspection	Result
1.	DIN Rail No	
2.	Module Serial Number	

**2.0 PHYSICAL INSPECTION**

No	Inspection	Result
1.	Module is free from defect e.g scratches, deformities, corrosion, broken	<input checked="" type="checkbox"/>
2.	Module is operational (LED check)	<input checked="" type="checkbox"/>

**3.0 FUNCTIONAL**

No	Test Parameter	Acceptable Range	Actual Reading	OK
1	+24Vdc Output Voltage	+21.6 to +26.4Vdc		<input checked="" type="checkbox"/>

Tested by: (Tester)  
Signature/Official Stamp:



Name: AMIRUL AIMAN  
Date:

Witnessed by:  
Signature/Official Stamp:

Name:  
Date:

DOC. TITLE	RTU560-SAT RECORD (DN)	FORM REVISION	00
FORM DESCRIPTION	POWER SUPPLY - 560PSU41 (PART NO: 1KGT017700R0001)	PRODUCT DETAIL	RTU560
PROJECT DETAILS	SITE: PE TESTER	TEST RECORD SHEET	1 OF 1
FORM REF	RTU560-SAT-TREC-560PSU41	REPORT SHEET NO	OF

**1.0 MODULE INFORMATION**

No	Inspection	Result
1.	DIN Rail No	
2.	Module Serial Number	

**2.0 PHYSICAL INSPECTION**

No	Inspection	Result
1.	Module is free from defect e.g scratches, deformities, corrosion, broken	<input checked="" type="checkbox"/>
2.	Module is operational (LED check)	<input checked="" type="checkbox"/>

**3.0 FUNCTIONAL**

No	Test Parameter	Acceptable Range	Actual Reading	OK
1	+24Vdc Output Voltage	+21.6 to +26.4Vdc		<input checked="" type="checkbox"/>

Tested by: (Tester)  
Signature/Official Stamp:



Name: AMIRUL AIMAN  
Date:

Witnessed by:  
Signature/Official Stamp:

Name:  
Date:

DOC. TITLE	RTU560-SAT RECORD (DN)	FORM REVISION	00
FORM DESCRIPTION	FIBER OPTIC MODULE - 230K24 (PART NO: 1KGT011800R5001)	PRODUCT DETAIL	RTU560
PROJECT DETAILS	SITE: PE TESTER	TEST RECORD SHEET	1 OF 1
FORM REF	RTU560-SAT-TREC-OK24	REPORT SHEET NO	OF

**1.0 MODULE INFORMATION**

No	Inspection	Result
1.	Rack & RTU Slot Number	Rack:      Slot:
2.	Module Serial Number	

**2.0 PHYSICAL INSPECTION**

No	Inspection	Result
1.	Module is free from defect e.g scratches, deformities, corrosion, broken	<input checked="" type="checkbox"/>
2.	Module is operational (LED check)	<input checked="" type="checkbox"/>
3.	Jumper setting as per approved drawing	<input checked="" type="checkbox"/>

**3.0 FUNCTIONAL**

No	Inspection	Result
1.	Module is operational (LED check)	<input checked="" type="checkbox"/>

Tested by: (Tester)  
Signature/Official Stamp:



Name: AMIRUL AIMAN  
Date:

Witnessed by:  
Signature/Official Stamp:

Name:  
Date:

DOC. TITLE	RTU560-SAT RECORD (DN)	FORM REVISION	00
FORM DESCRIPTION	Virtual Signal (PLC)	PRODUCT DETAIL	RTU560
PROJECT DETAILS	SITE: PE TESTER	TEST RECORD SHEET	1 OF 1
FORM REF	RTU560-SAT-TREC-VIRTUAL	REPORT SHEET NO	OF

**1.0 FUNCTIONAL - GENERAL**

No	Inspection	Result
1.	The PLC configuration is operational (via Web Browser)	<input checked="" type="checkbox"/>

**2.0 FUNCTIONAL - SIGNAL TEST**

Virtual Signal	Protocol Address	SPI		Protocol		
		0 (OFF)	1 (ON)	IEC 101	IEC 104	DNP3
RTU BUFFER FULL ALARM	950			<input checked="" type="checkbox"/>	<input checked="" type="checkbox"/>	<input type="checkbox"/>
RTU TIME SYNC ALARM	951			<input checked="" type="checkbox"/>	<input checked="" type="checkbox"/>	<input type="checkbox"/>
RTU HEALTHY ALARM (FOR INTERNAL USE ONLY, N/A FOR MASTER)	952			<input checked="" type="checkbox"/>	<input checked="" type="checkbox"/>	<input type="checkbox"/>
RTU COMMUNICATION TO NCC FAIL (FOR INTERNAL USE ONLY, N/A FOR MASTER)	953			<input checked="" type="checkbox"/>	<input checked="" type="checkbox"/>	<input type="checkbox"/>
COMMON DIGITAL INPUT MODULES FAIL	954			<input checked="" type="checkbox"/>	<input checked="" type="checkbox"/>	<input type="checkbox"/>
COMMON DIGITAL OUTPUT MODULES FAIL	955			<input checked="" type="checkbox"/>	<input checked="" type="checkbox"/>	<input type="checkbox"/>
COMMON ANALOG INPUT MODULES FAIL	956			<input checked="" type="checkbox"/>	<input checked="" type="checkbox"/>	<input type="checkbox"/>
COMMON ANALOG OUTPUT MODULES FAIL	957			<input checked="" type="checkbox"/>	<input checked="" type="checkbox"/>	<input type="checkbox"/>

Tested by: (Tester)  
Signature/Official Stamp:



Name: AMIRUL AIMAN  
Date:

Witnessed by:  
Signature/Official Stamp:

Name:  
Date:

**VERIFIED BY TNB**

**TNB Personnel:**

**Verified at:** 03-04-2026 18:28:46